

FIG. 1

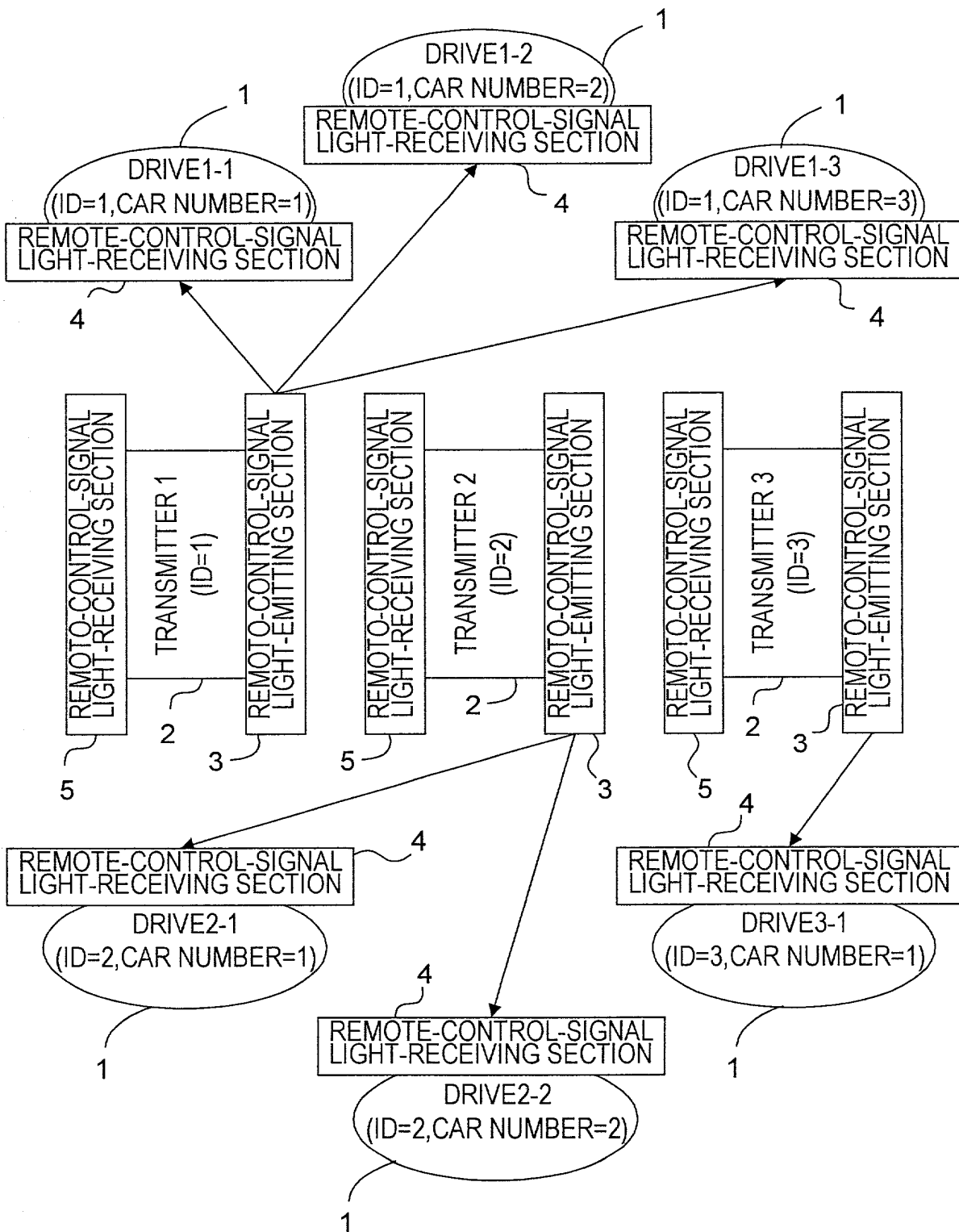


FIG. 1

FIG.2

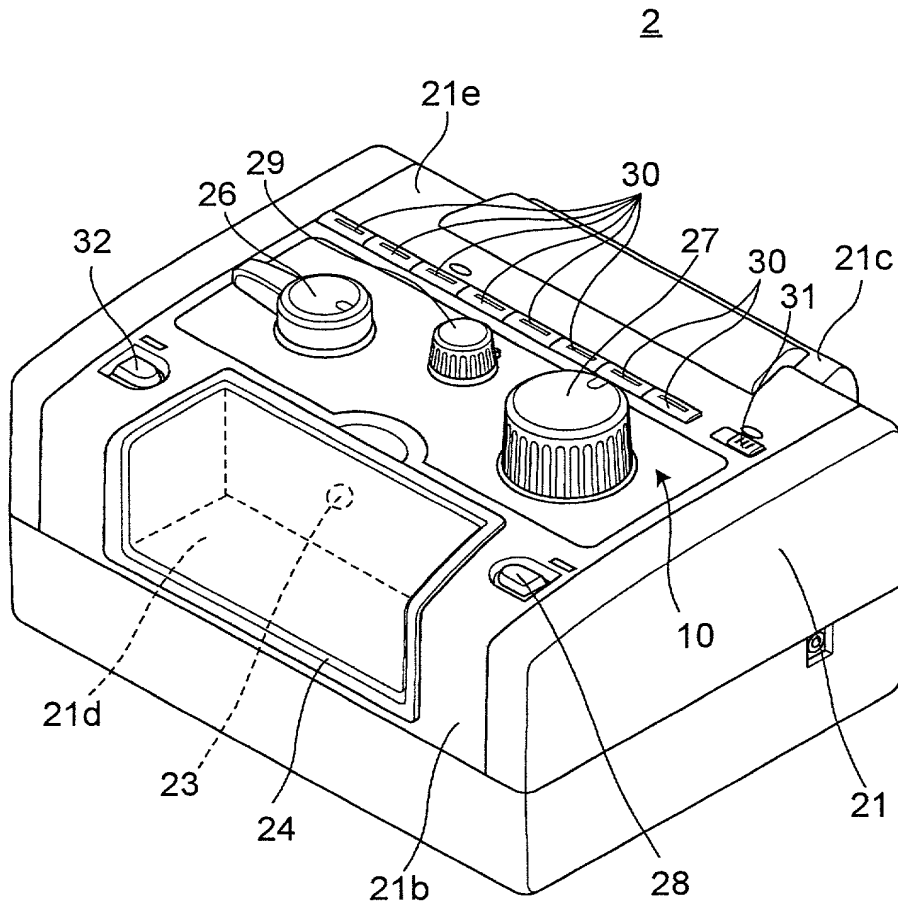
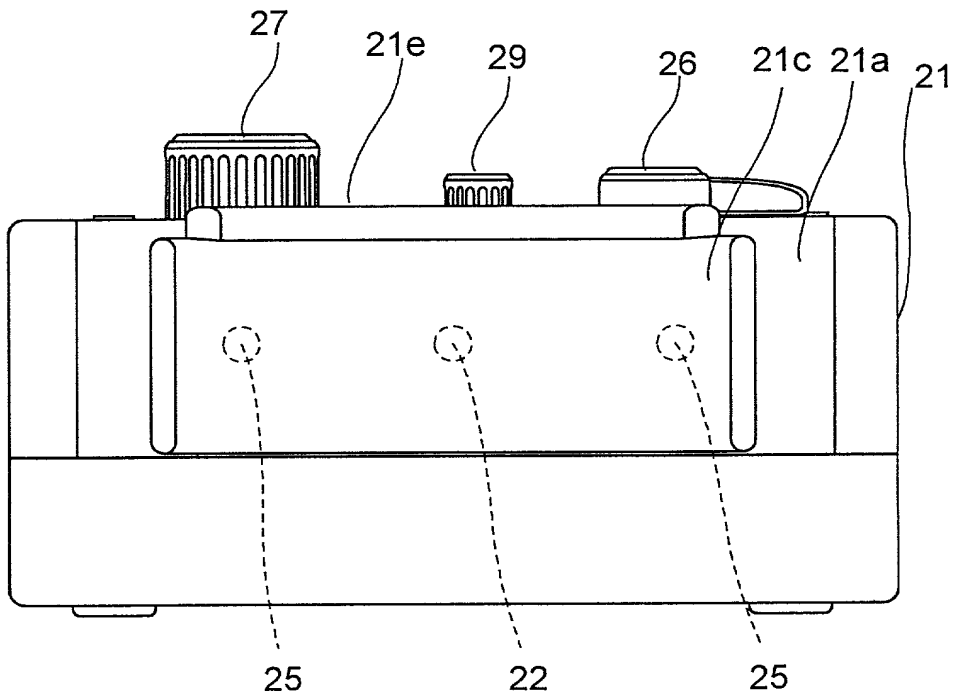


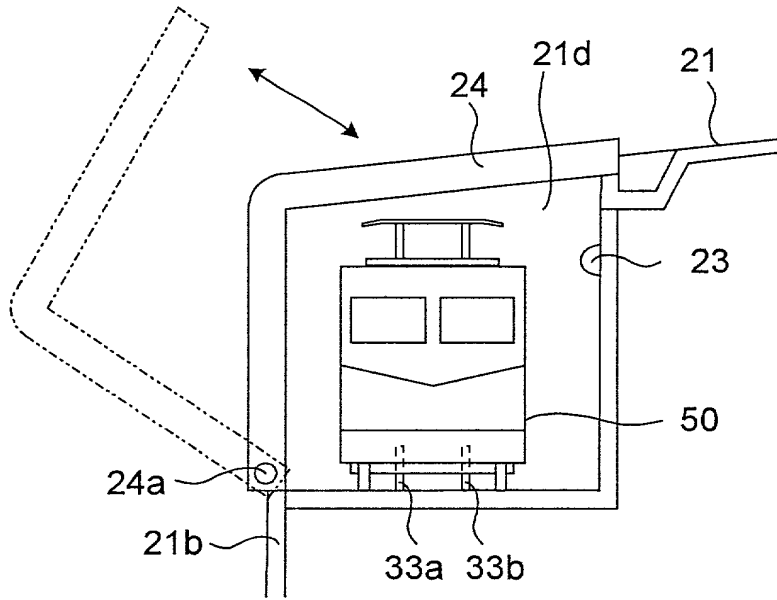
FIG. 2

FIG.3



FOR F62660

FIG.4



FOOTPRINT 1623560

FIG. 5

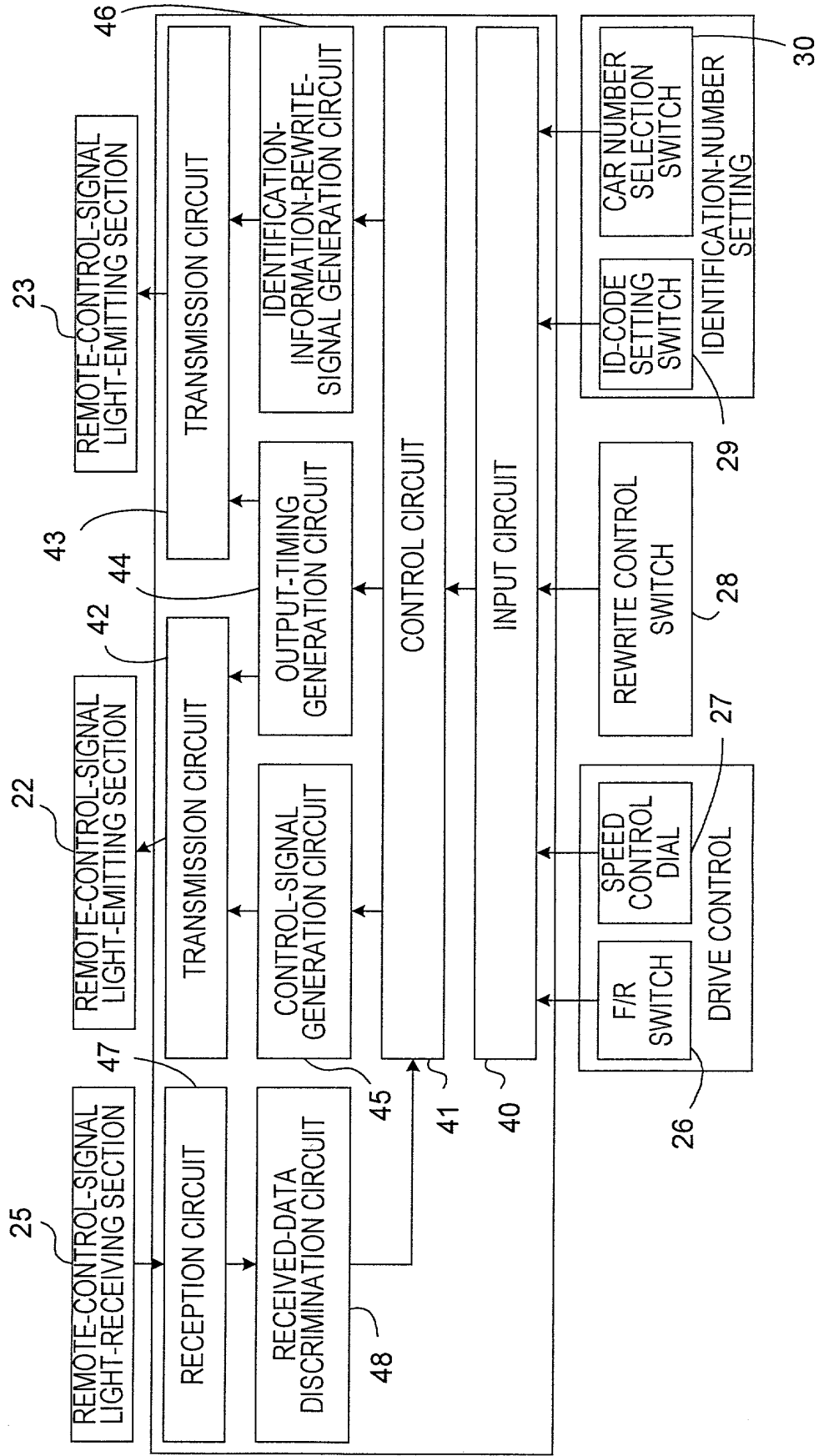


FIG.6A

CASE OF TRANSMISSION OF CONTROL DESIGNATION SIGNAL

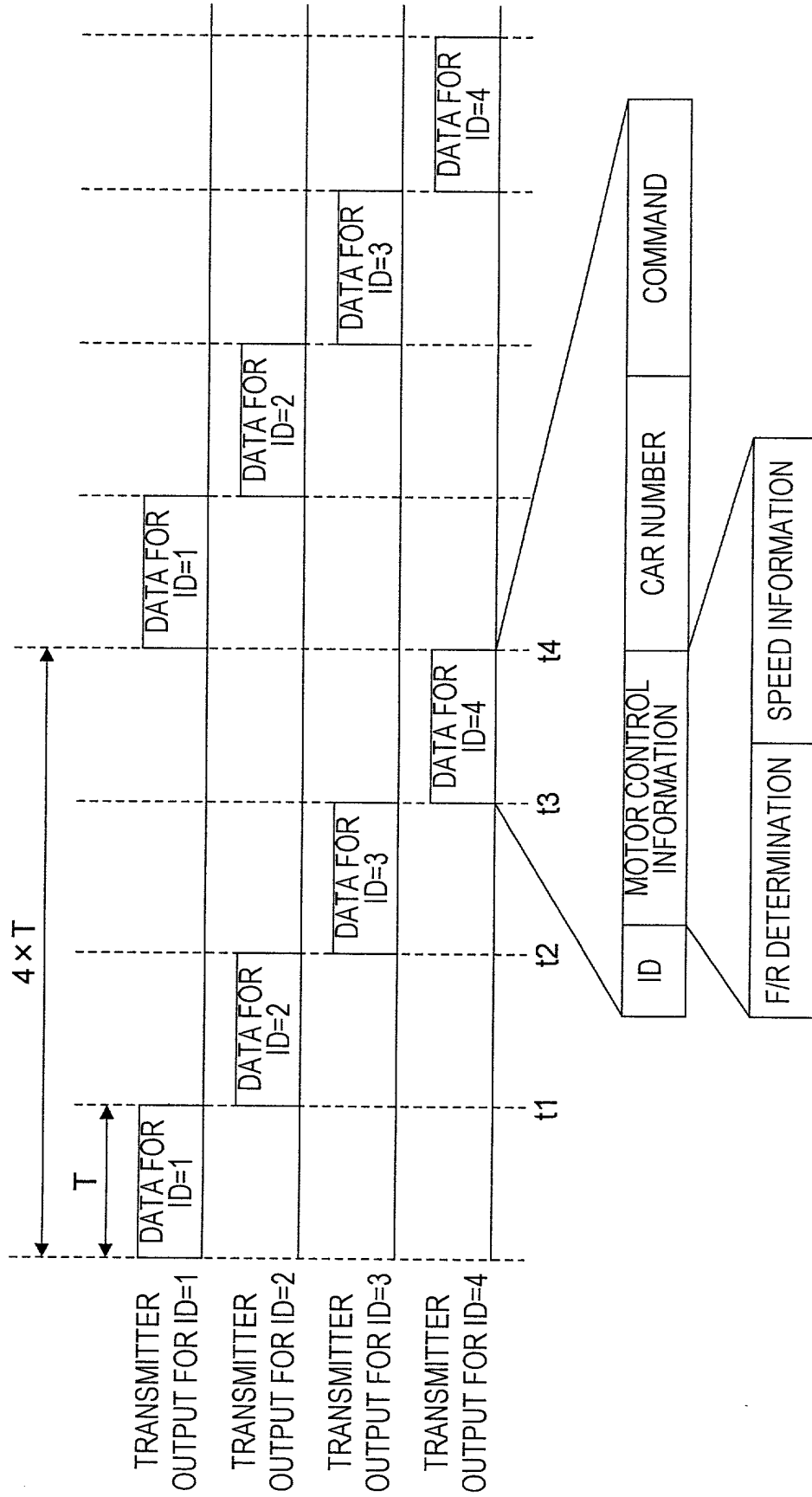


FIG.6B

CASE OF TRANSMISSION OF IDENTIFICATION-INFORMATION-REWRITE-DESIGNATION SIGNAL

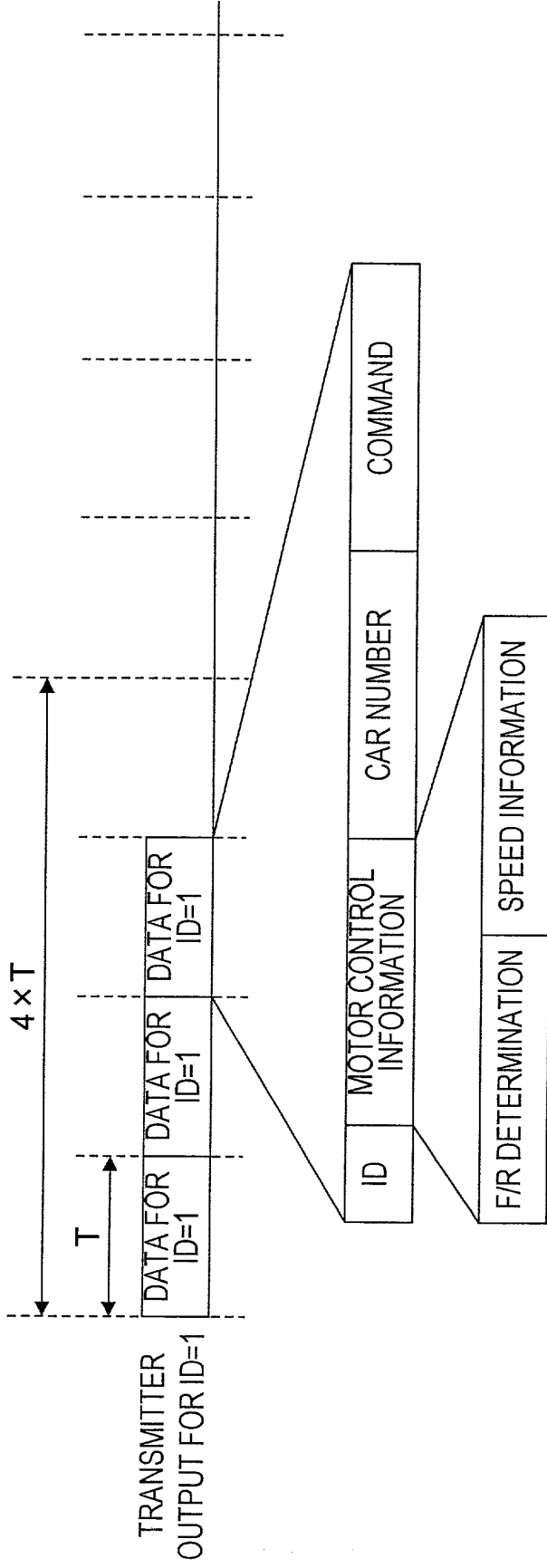
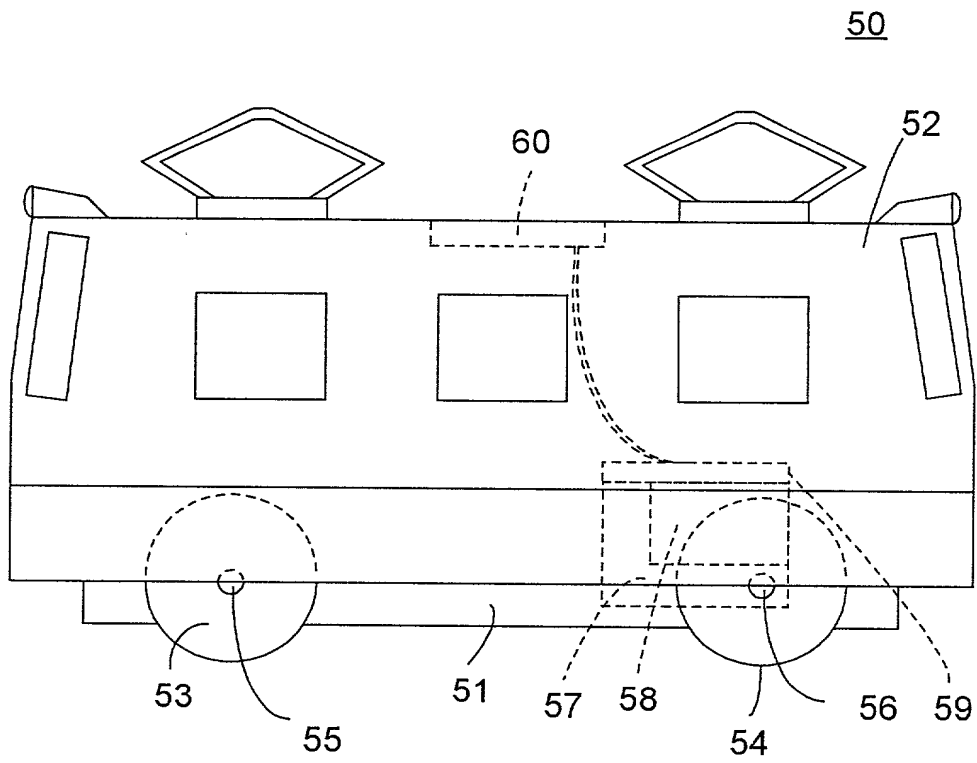


FIG.7



FOOT" FOLDED



FIG. 8

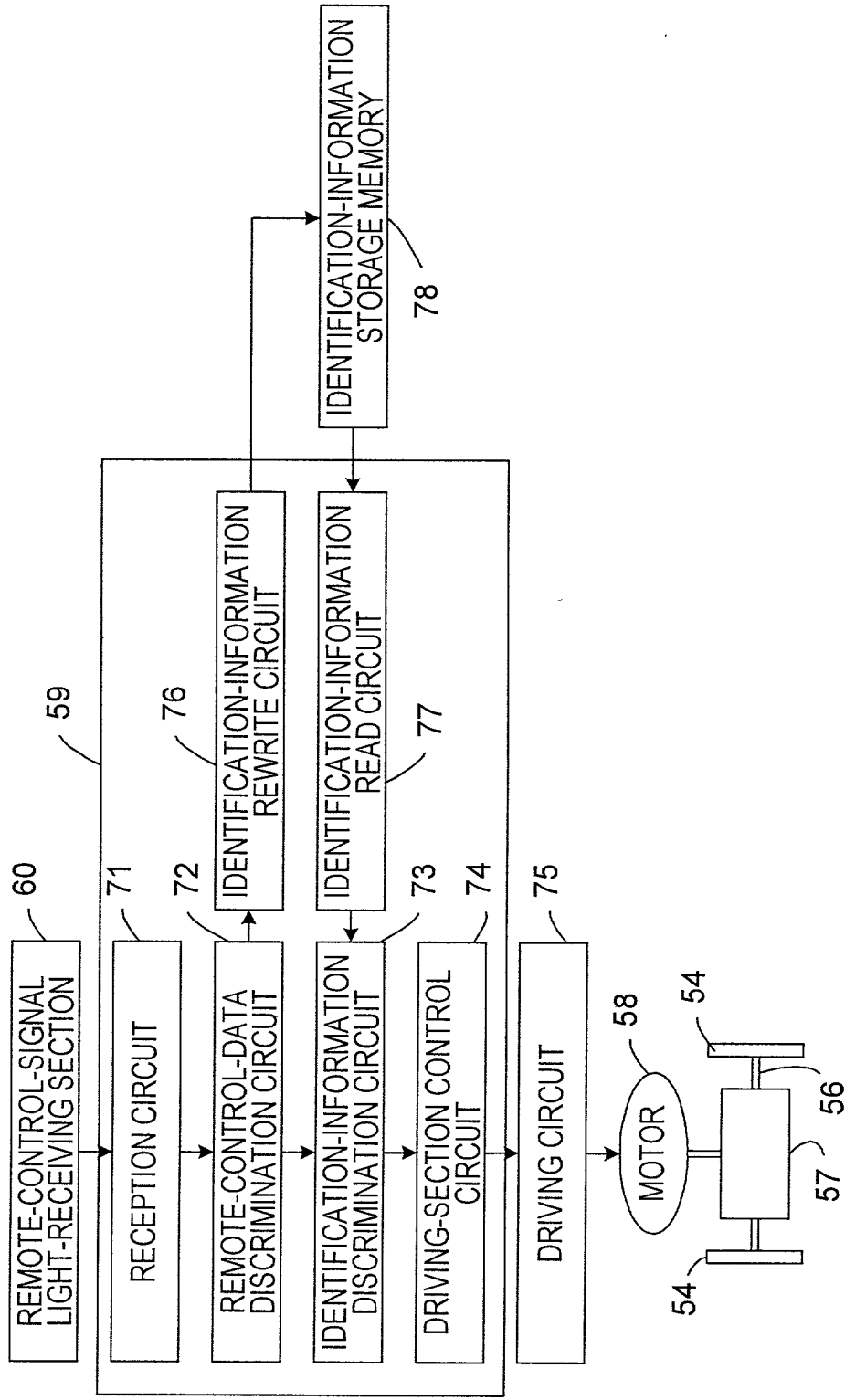
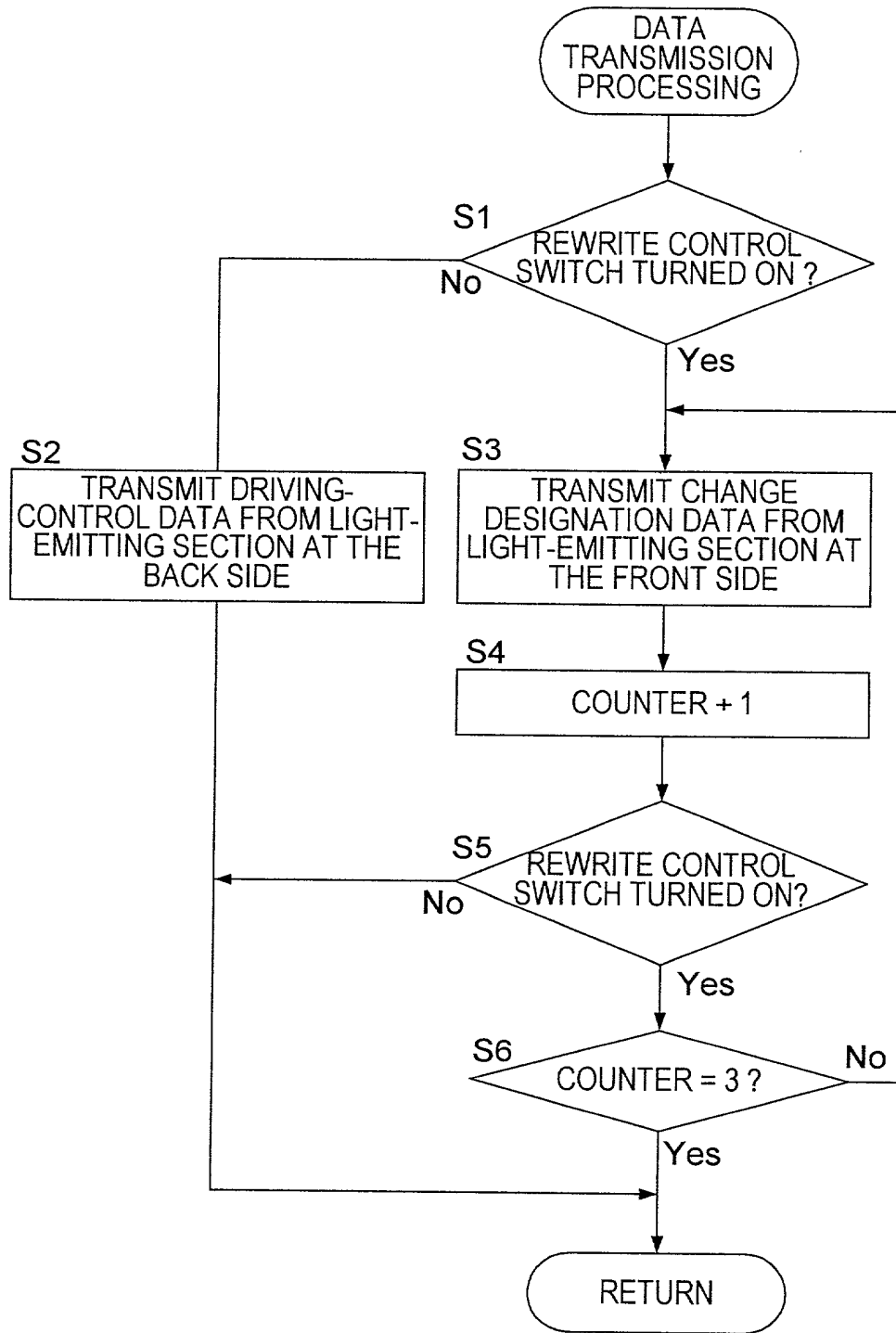


FIG.9



FOOTER: F55555

FIG.10

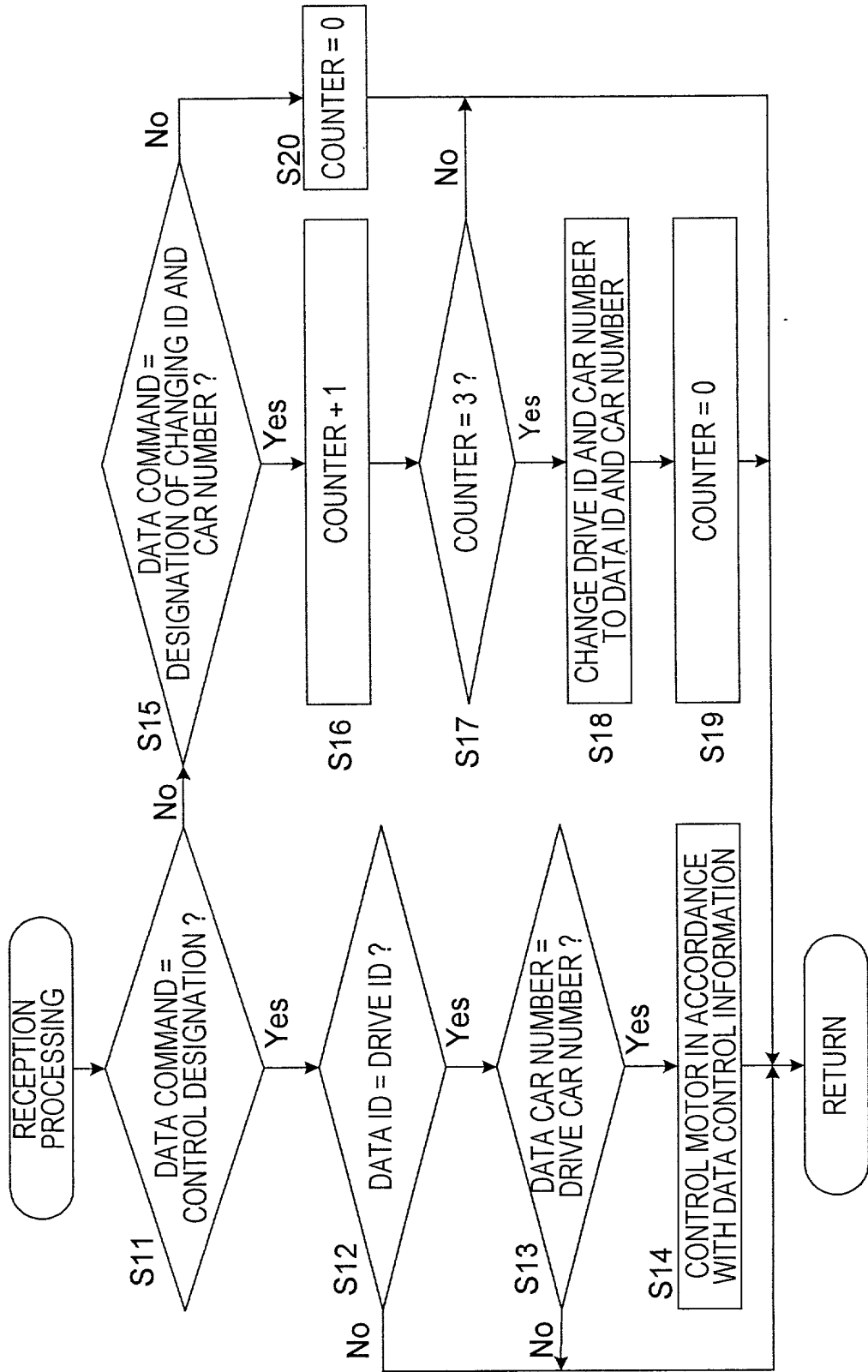


FIG.11A

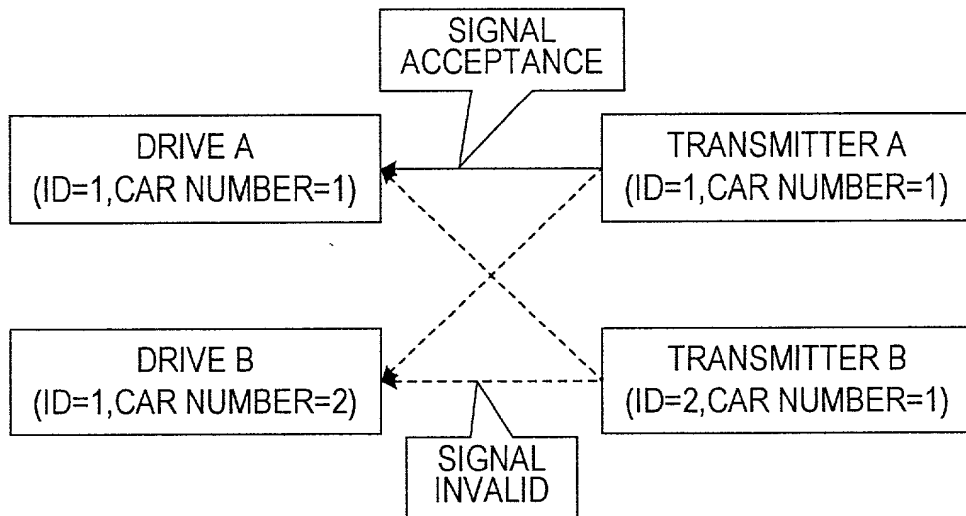


FIG.11B

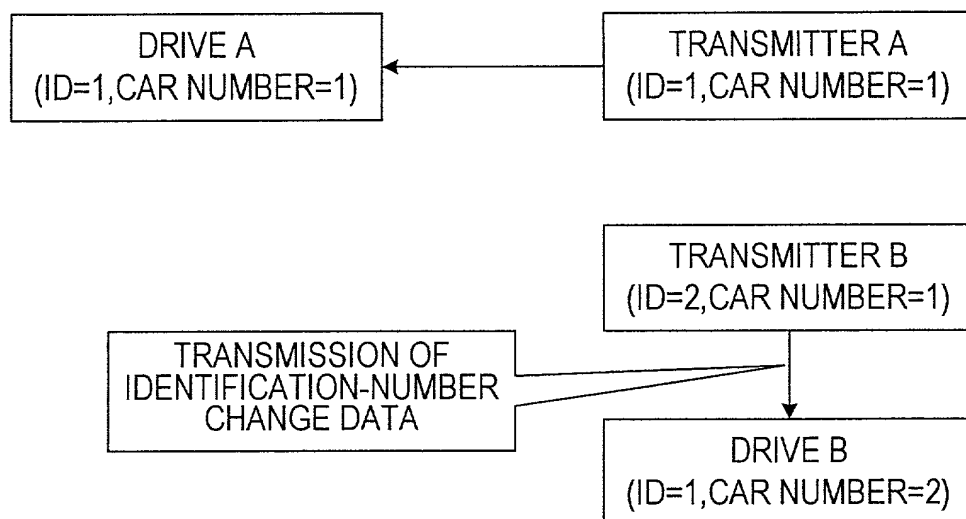


FIG.12A

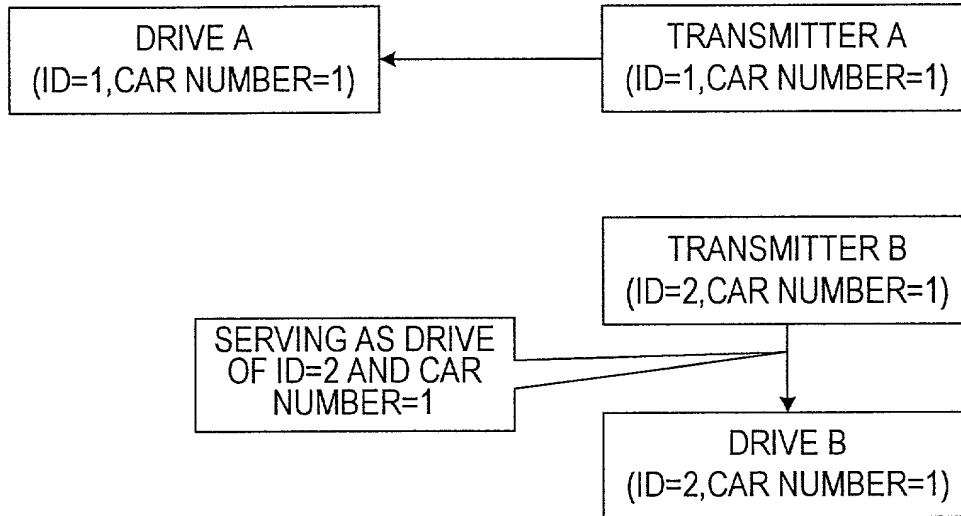


FIG.12B

